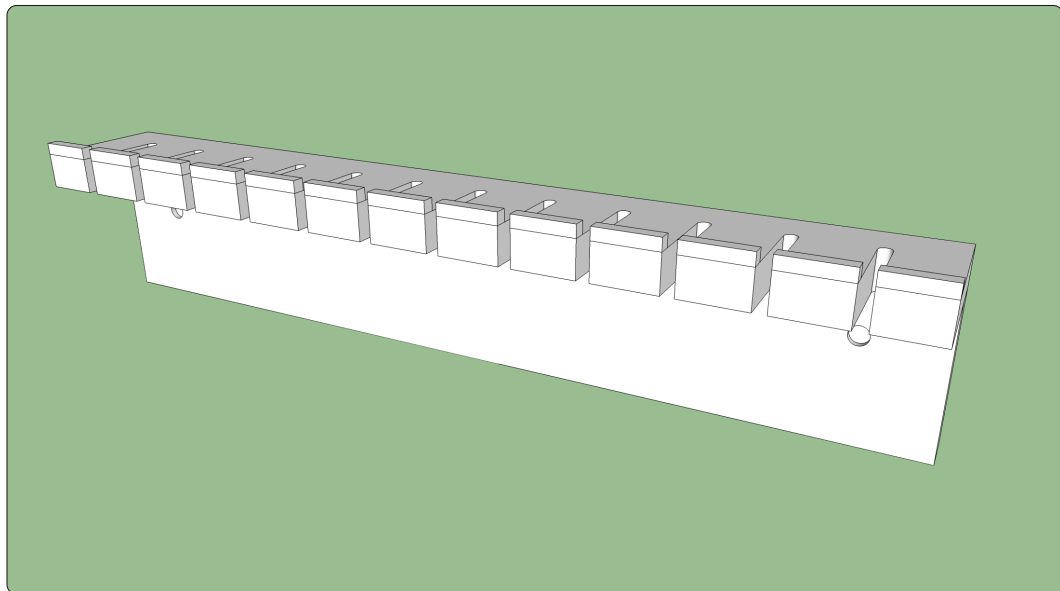
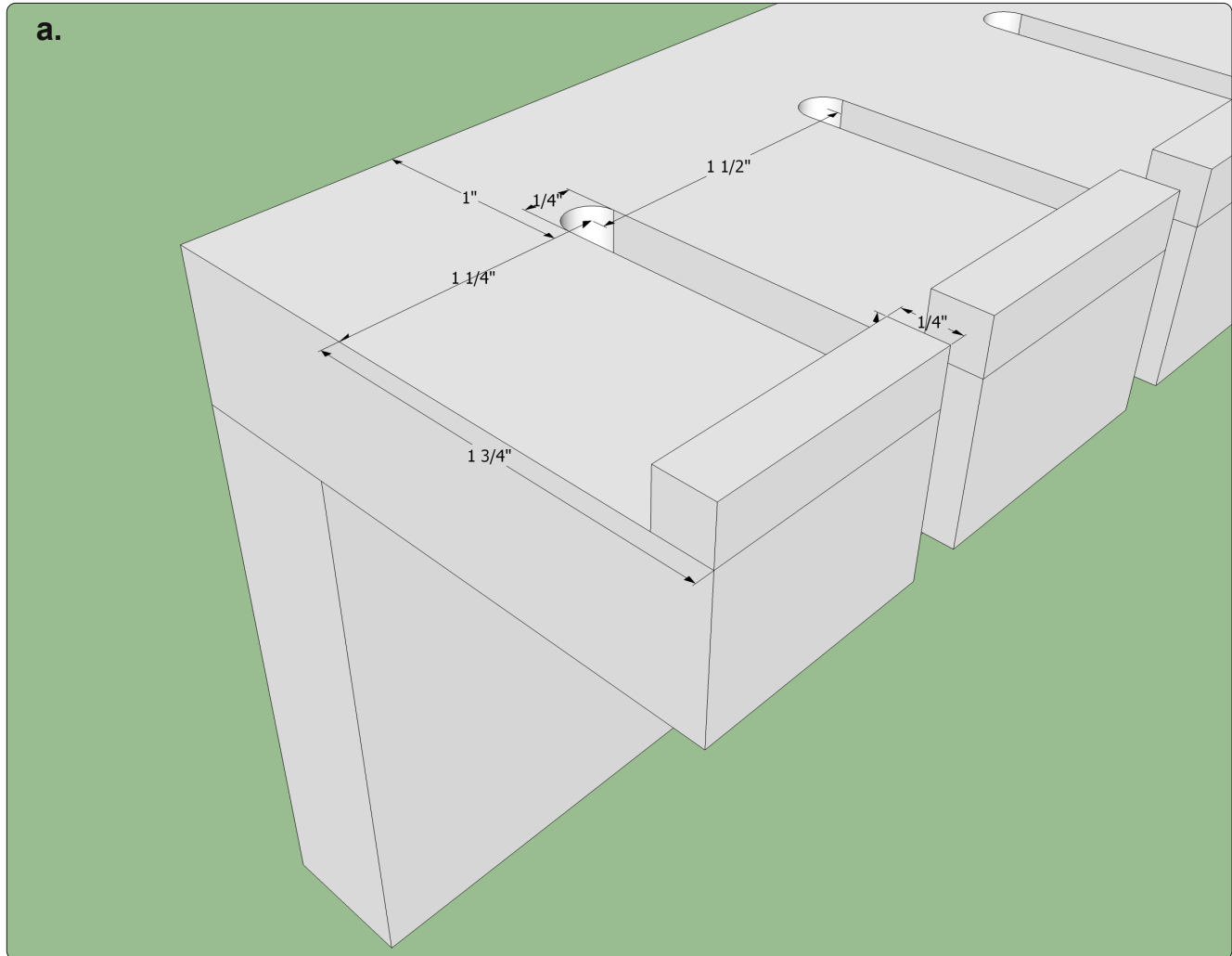


Small Clamp Rack



- 3/4" x 19" x 7" MDF
- 2" Screws or Nails
- Titebond I Wood Glue

Dimensions



Directions

After cutting the pieces to size mark and drill holes along the top.

A 1/4" piece of MDF or hardboard can be cut into a thin strip to create a lip along the top front edge. This should be glued in place prior to cutting the slots and will prevent the

clamps from possibly sliding off the rack due to bumps and vibrations.

Mark slot locations on the underside of the top using a square and cut using a band saw or jigsaw.

To assemble, apply glue to the top edge of the back piece and attach the

top with 2" nails or predrilled screws.

For additional details please see this project's article and video on our website:

<https://AroundHomeDIY.com>

Cutting Diagram

